



LED Lighting Modules



innovation
& solution

DDN: 08-002-2023-01-B

Product Catalogue 2023





Dorax LED Lighting Modules are designed to ease the dark and hard working conditions in the interior and exterior environment of rack cabinets, during both installation and use.

The ideal solution for functional, durable and aesthetic rack interior lighting!

innovation
& solution

About Us

About Us	4
Our Service Principles	5
Our Production Principles	6

19" LED Lighting Modules

Features	8
Motion Sensored Module	10
Door Switch Module	10
Additional Module	11

Header Type Lighting Modules

Features	12
Hanging Header Light Module	13
Built-In Header Module	13

Stick Type Aluminum Lighting Modules

Aluminum Stick Lights	14
-----------------------------	----



about us

With our experience since 1990, we provide our customers with **personalized, dynamic, international standard leading technologies.**

We are progressing with the aim of being an effective player **globally** with our team who took a role since the beginning and shaping of the industry in our country.

As doraks, being involved in every field where communication technologies are used since their establishment in our country, we manufacture accessories used in infrastructure systems as well as installing them.

We adopt are constantly developing the skills necessary to maintain dynamic, pioneering, international standards - based system.

our service principles



“Zero Problem” Policy

By staying in coordination with all units affecting the project, it is a priority to notify possible problems in advance, to develop solutions, and to prevent cost and time loss with pre-production studies. It is also a part of our policy that the systems we install can operate smoothly and remain up-to-date for many years.



Team Work

Team spirit is taken as core, while the awareness of individual responsibility is formed, coordination is maintained and our team members add their experienced skills. It creates the business and individual ground to enable employees to develop themselves, increase their competencies and abilities, and maximize internal harmony and efficiency.



Occupational Safety Priority

Dorax, which undergoes regular occupational safety trainings and controls, aims to create an accident-free work environment. Being aware of life-threatening dangers, complying with all occupational safety rules in all working conditions.



Customer Satisfaction

Dorax, which prioritizes the needs of its customers, aims to offer solutions that are personalized, need-oriented and suitable for long-term use, with the most advanced technologies, by analyzing their needs.

After-sales services are offered as well.

our production principles



Producing the Quality

We believe that quality is not acquired at the final check but begins with the design.

From the moment we learn your demands, we design the most optimum and long-lasting solution for your system, prioritize quality at every stage of production and test it in our quality control processes.



Delivery on Time

Dorax products can travel for long periods while being distributed all over the world.

We understand the importance of following shipment deadlines and we work diligently to maintain our zero delay rate.



Trust in the Product and Services

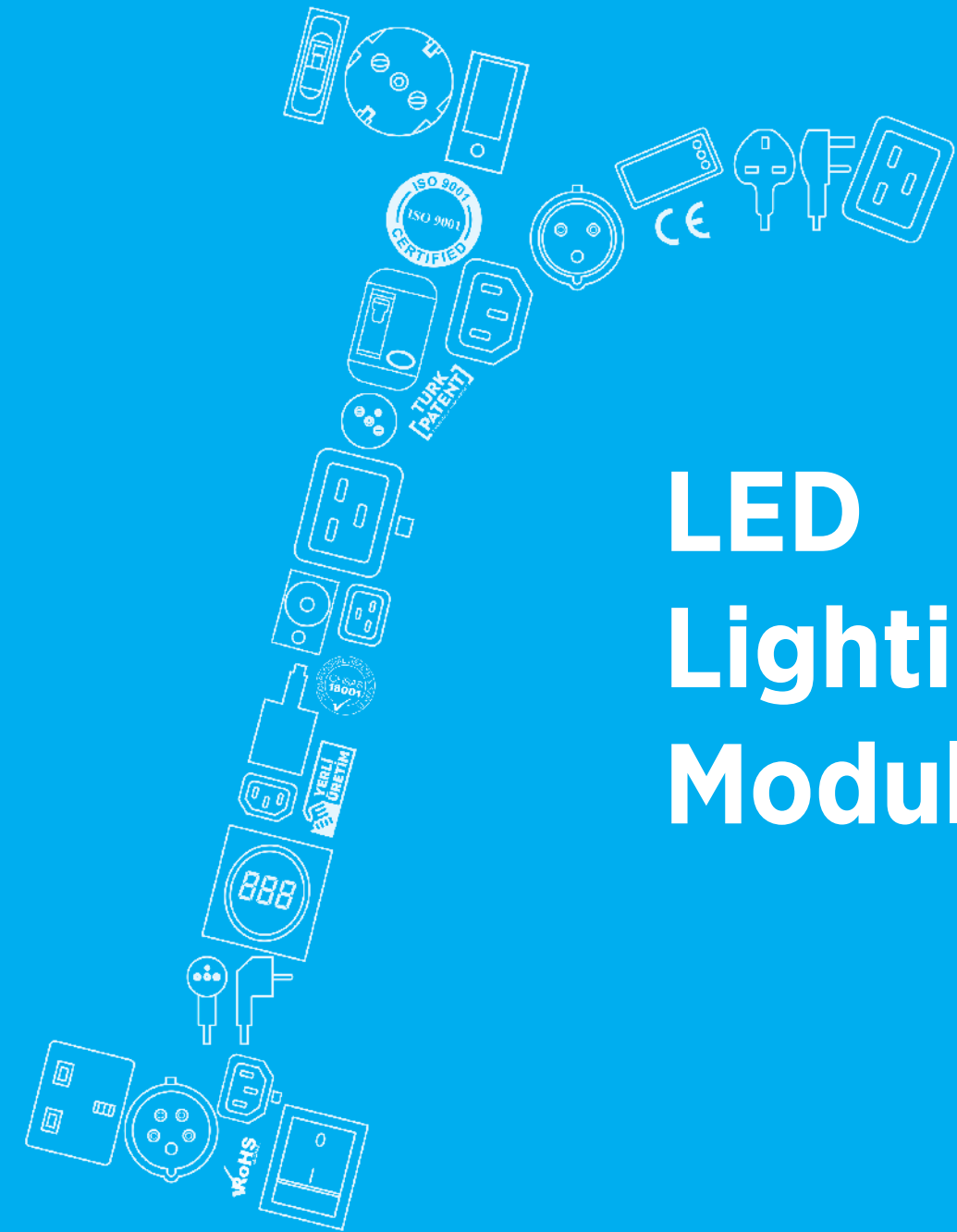
With our confidence in our product and production process, we believe that our products are one of the strongest links of the chain in the systems they are used.

We pride ourselves on the trust in our products and in providing the most suitable solution.



Lifetime Product Satisfaction

We are always with you for your questions and needs about the product with our aftersales services. Dorax products stand out with their trouble-free operation for years, after-sales support and user-oriented custom solutions.

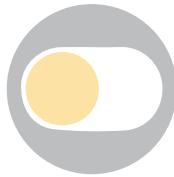


LED Lighting Modules

19" Rack Mount LED Lighting Modules

19" Rack Cabinet Lighting Modules operate with 12 Volt DC voltage. In addition to standard white lighting color different colors options are also available. With its different optional features, it can be customized to the needs and requests of users.

Control Switch



Motion Sensor or Door Switch modules have a 3-position control switch on the front with 0= OFF, I=Constant ON and A= Automatic mode (Sensitive to either door movement or motion)

Label Window



The constantly illuminated backlight allows the brand or any information label to be easily seen with the label window.

Magnetic Hold



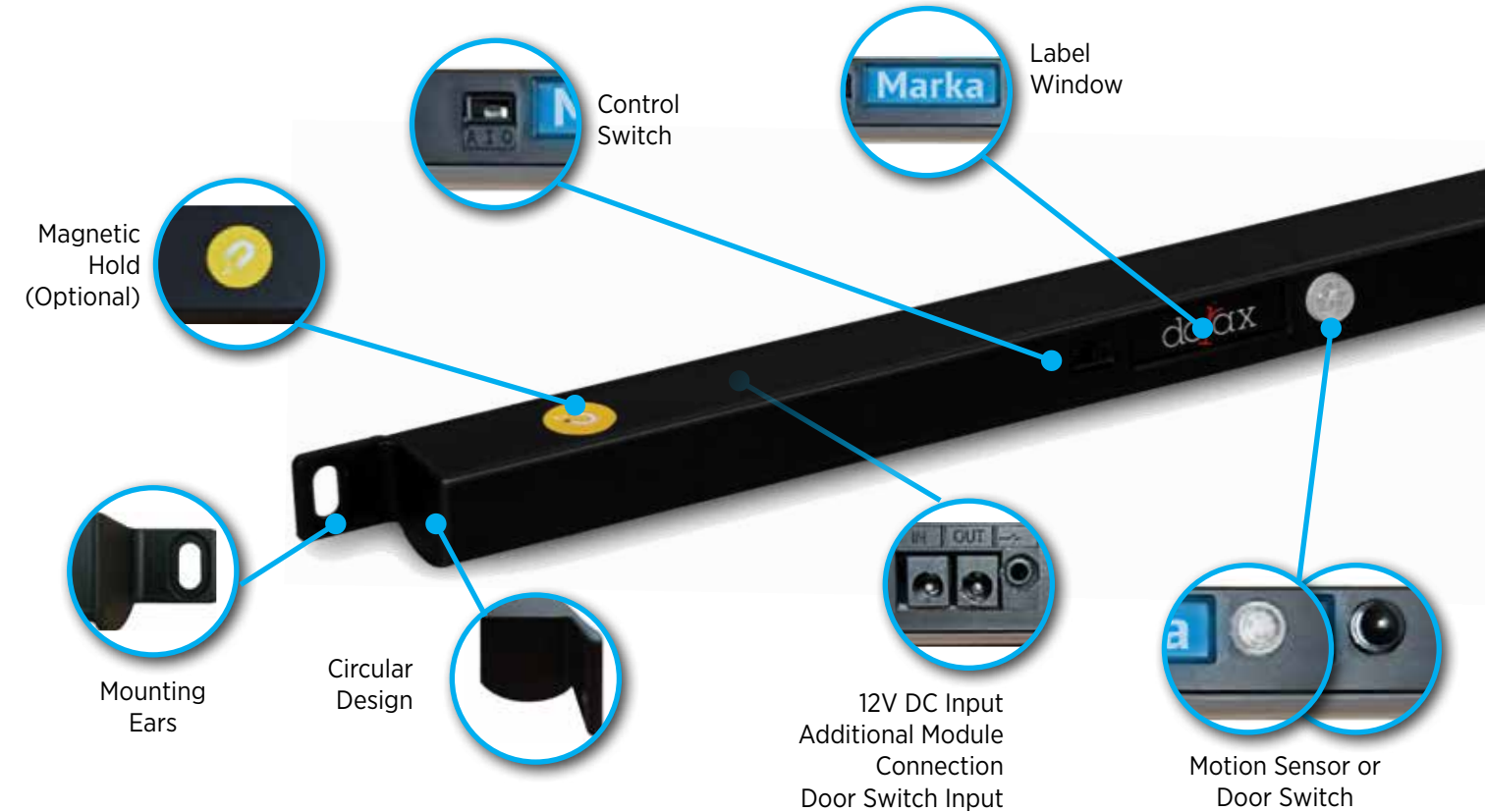
Magnetic Hold Option enables the product to be used on a metal surface in other ways than just 19" rack mounting. They can be mobile by sticking to the surface with the magnetic holders added into the product. These models have a label on the surface which shows where the magnets are.

Color Options



In addition to standard fixed lighting, two color lighting options are also available. When no motion is detected, it illuminates the background with a different color (standard color is blue, other colors are optional), and when switched to normal lighting mode, it illuminates in a different color (standard color is white, other colors are optional). In the model with motion sensor, the lighting turns off or the background lighting is activated again approximately 30 seconds after motion detection* ends. In the cabinets with glass doors, motion is not detected behind the glass.

* If the control switch is set to ON mode in the standard model, If movement is detected in the model with motion sensor, If key door movement is detected in the door key model.



- RAL9005 1/2U Fire Retardant Plastic Body
- 19" Rack Mountable
- Easy usage on desired area with with the magnetic hold option
- Lighting at more than one point with additional module controlled from the main center
- Paintable body
- Illuminated Brand / Information Area
- Dual color options
- Color determination option in dual color (White / Blue-Red-Green)



TASARIM TESCİL BELGESİ
No: 2021 004072



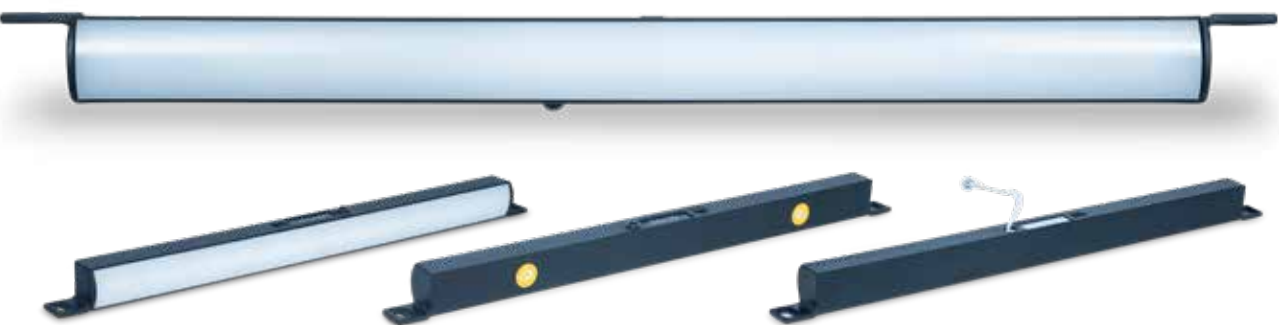
Motion Sensor Modules

It has a single or dual color lighting option. The motion detection sensor located on the front detects movement from approximately 1.5 m, and the light remains on during the movement. It goes into standby mode approximately 30 seconds after motion detection is finished. In



cabins with glass doors, it does not detect movement behind the glass. This way, unnecessary movement detection is prevented.

Additional module can be installed.

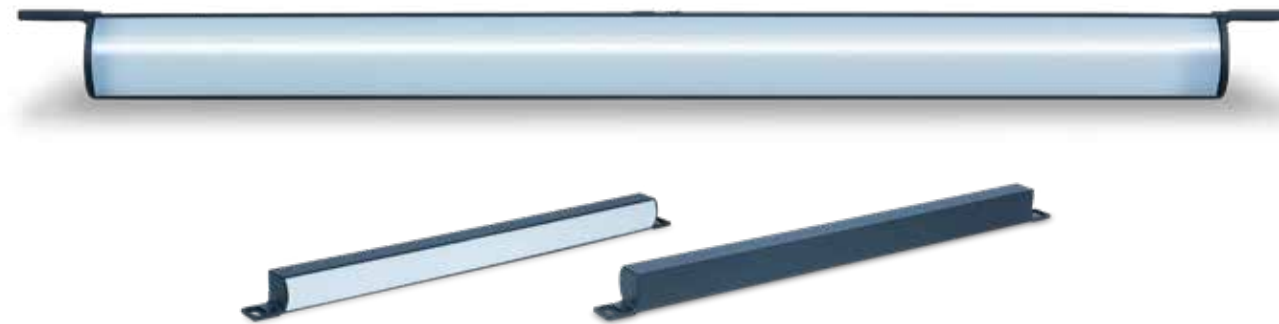


Door Switch Modules

Has a single color or dual color lighting option. The motion sensor window is covered with a **black cover**. Door switch connection socket is on the back of the product. When the door

switch is activated, it starts to light turn on and illuminates until the door is closed again.

Additional modules can also be installed on this model.



Additional Modules

With the additional module, which can be used in models with motion sensors or door switches, lighting can be duplicated after motion detection in the main module.

There are no control switches, sensor slots or label windows on the front of the additional modules. There are two power inputs on the back

of the product for main module - additional module connection and are supplied with a cable to enable the connection.

Other features are the same as the the main modules, but there is **no two color option or the option to choose a second color**. Five additional modules can be connected to the main modules.

TECHNICAL FEATURES		Body Type	Operating Voltage	Max. Power	Power Connection	Light Color (Kelvin)	Length
19" Rack Mountable Modules	Motion Sensored	Plastic	12 V DC	6 Watt	Power Connection Socket	6500 (White)	19" - 1/2U
	Door Switch						
	Additional Unit						

Header Type Light Modules

Header Type Light Modules are used to illuminate the corridor of datacenters where rack cabinets are lined up.

The Built-In type (forward lighting) model is installed in the area on the pediment and only the lighting surface is visible. In the hanging type model, the lighting is directed towards the ground and is hung on the pediment surface. It can be produced in different colors.

Both types can operate with 12VDC, 24VDC or 48VDC voltage and must be connected to a

power unit that can supply appropriate for the selected voltage.

Sizes are available for 600mm or 800mm racks.

300 mm models are also available which are suitable for 300 mm wide cooling units mounted between rack cabinets.

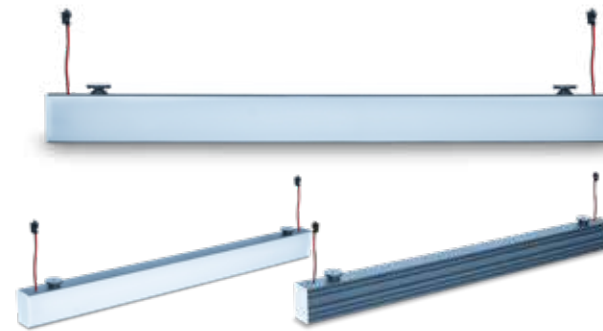
These modules can be easily connected to each other with the socketed mounting cables on both sides with easy and short installation without the need for additional work.

- Custom design option
- Module length on demand
- Standart color: Black



TECHNICAL FEATURES		Body Type	Operating Voltage	Max. Power	Power Connection	Light Color (Kelvin)	Length
Header Type Modules	Built-In Header Type	Aluminum	12 V DC	8-12 Watt	separate Input - output wired sockets	3500 5000 6500	Optional
	Hanging Type (Without Gap)		24 V DC				
	Hanging Type Screw Mounting		48 V DC (Options)				

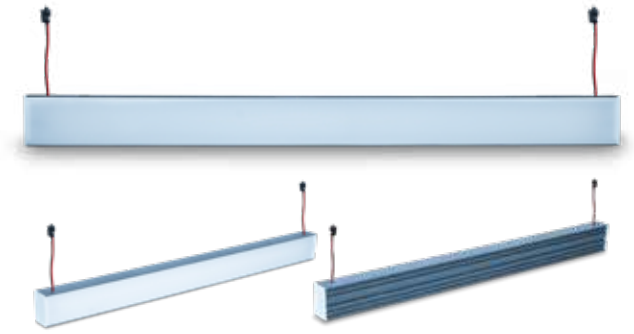
Hanging Type Header Lights



1. Hanging with Mounting Button

In this mounting method, two mounting buttons are on the back side of the product. Pear-shaped holes suitable for the buttons spacing should be opened on the pediment. It is mounted by inserting it into these holes from top to bottom, and no tools are required for assembly. Since the connection cables will pass through the remaining space, there is no need for an additional hole. Since it provides very fast installation, it can be put into operation in a short time.

Body is aluminum and can be in the same color with the rack cabinet. Has two mounting options.



2. Hanging without Gap

Mounting screw holes are available for mounting to the pediment with zero gap. Holes of the same size should be opened on the pediment. It can be mounted by screwing from the back of the pediment. Cable passage holes should also be opened on the pediment.



Built in Header Lighting

It has an aluminum body and is mostly produced in natural color (gray). Since the assembly is done in a



tight fit manner, no additional fixing is required.

A mounting space cut to the appropriate size for the module to be used is sufficient.

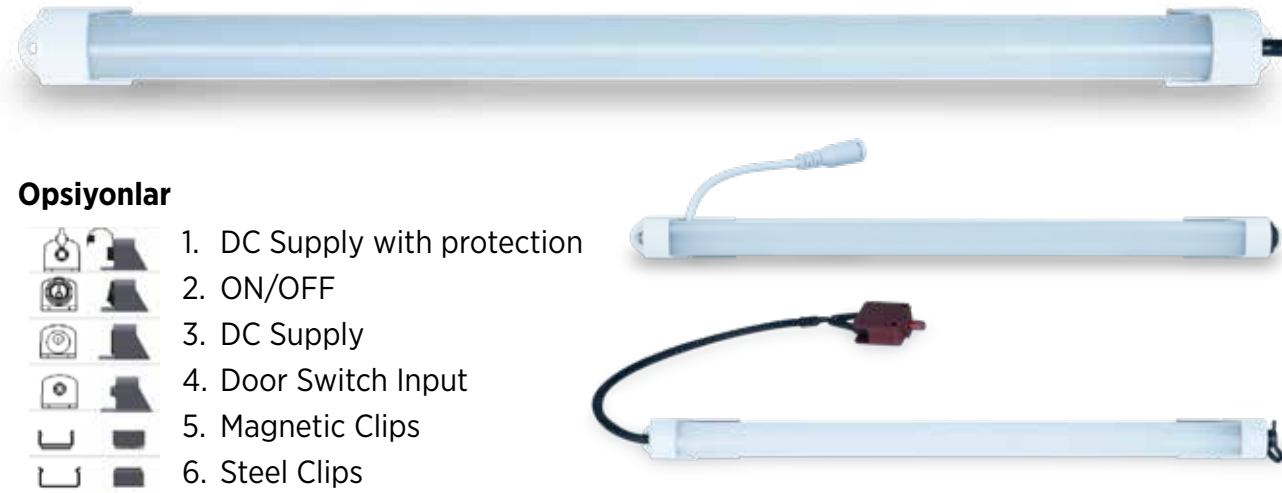
Aluminum Stick Lights

With this model, length can go up 3 meters while. It has an aluminum body and is in natural colour (grey). It comes with standard WHITE color illumination while other color options are also possible.

Product power supply input can be made directly via cable or socket. On/Off switch or Door Switch can be added to the product upon request.

While the mounting screw holes on the plastic cover on both sides of the product can be used for mounting, it is also possible to use it with steel clips or magnetic holders for easy assembly.

Optionally, spiral power connection cable can also be used.



Opsiyonlar

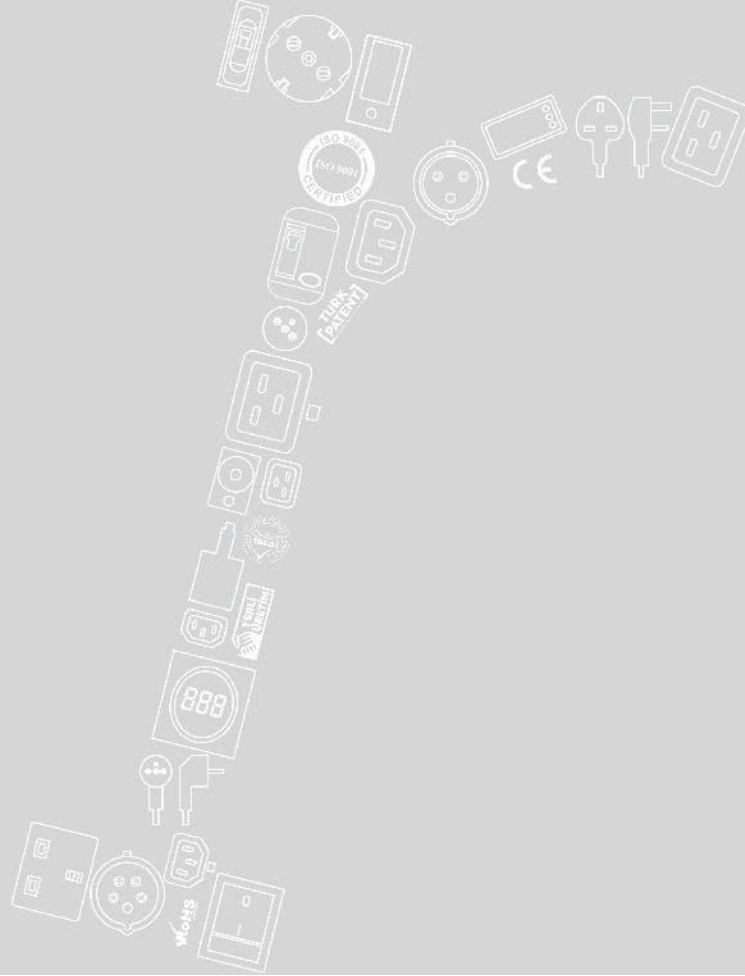
1. DC Supply with protection
2. ON/OFF
3. DC Supply
4. Door Switch Input
5. Magnetic Clips
6. Steel Clips

- Custom design option
- Easy usage on desired area with with the magnetic hold
- 10-25-33 cm length options
- Paintable body
- Aluminum natural color body
- ON/OFF or door switch options.

TECHNICAL FEATURES		Body Type	Operating Voltage	Max. Power	Power Connection	Light Color (Kelvin)	Length
Aluminum Stick Lights		Aluminum	12 V DC 24 V DC 48 V DC (Options)	4 - 8 Watt	Direct Cable connection or socket	3500 5000 6500	Optional
OPTIONAL FEATURES		Rack Interior Lighting	Magnetic Hold	Motion Sensor/Door Switch	Illuminated Light Windows	Light Color	
19" Rack Mountable Modules	Motion Sensored	✓	✓	✓	✓	4600 K	
	Door Switch	✓	✓	✓	✓	4600 K	
	Additional Unit	✓	✓	—	—	4600 K	
Header Type Modules	Geçme Tip	—	—	—	—	3500 K 5000 K 6500 K	
	Asma Tip Sıfır Boşluklu	—	—	—	—	3500 K 5000 K 6500 K	
	Asma Tip Makaronlu	—	—	—	—	3500 K 5000 K 6500 K	
Aluminum Stick Lights		✓	✓	✓	—	3500 K 5000 K 6500 K	



DDN: 08-002-2023-01-B



Doraks Teknolojik Ürünler San. ve Tic. Ltd. Şti.

Merkez Ofis: Küçükbakkalköy Mah, Kayışdağı Cad. Ozan Veysel Sok. No: 9/1 Ataşehir 34750 İstanbul - Türkiye

T: +90 216 577 28 48 F: +90 216 577 28 52 M: info@doraks.com.tr www.doraks.com.tr

